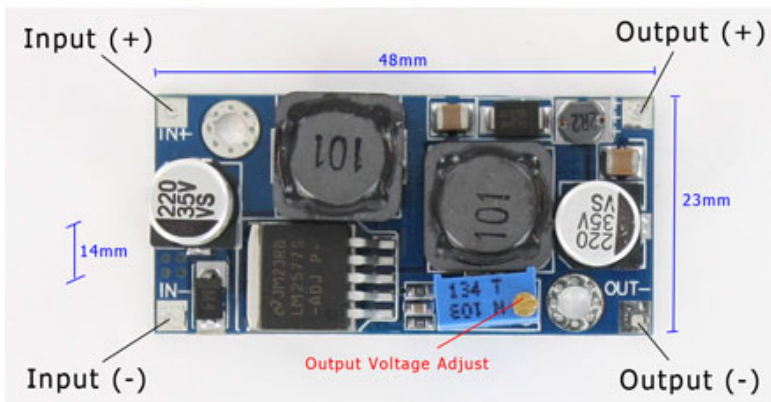


9.95 EUR

incl. 19% VAT, plus shipping



It is a DC12V/24V buck-boost Converter, input voltage 3-35V, output voltage 1.25-30V, maximum current 2A, conversion efficiency 92%, suitable for example for Solar Power Panels. Application: Applied to the Power adapter, electronic equipment, Car Power Supply and DIY, etc.

- Modules nature: **Automatic non-isolated buck-boost (SEPIC)**
- Rectification: **Non-synchronous rectification**
- Input voltage: **DC 3-35V**
- Output voltage: **DC 1.25V-30V**
- Output current: **2A (max)**
- Power: 12W natural Cool ( input voltage higher than 10V), if install heat sink can reach 20W
- Conversion efficiency: **92% (MAX)**
- Switching frequency: 50KHz
- Output ripple: 40mV (max)
- Load regulation:  $\pm 0.5\%$
- Voltage regulation:  $\pm 2.5\%$
- Operating Temperature: **-40 ° C to +85 ° C**
- Dimension: 48 x 23 x 14 mm

**Typical efficiency measurements:**

$$(12.01V * 1.001A) / (24V * 0.574A) * 100\% = 87.89\%$$

**Typical efficiency measurements:**

$$(12.02V * 0.501A) / (5V * 1.564A) * 100\% = 77.88\%$$

**Some Applications:**

- Battery voltage regulator: 12V battery (10-14V) output voltage regulator in 12V, 24V battery output voltage regulator in 24V.
- Solar charge regulator
- For electronic equipment power supply, wide voltage buck-boost design.

**Package includes:**

- 1x DC Converter